

ALARM BELL

The Alarm Bell is fitted as standard equipment as the secondary sounder in Banksman Locked Bell boxes.

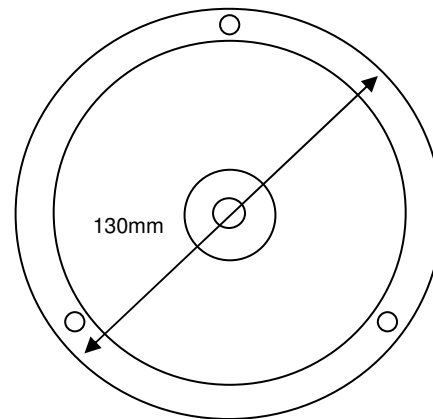
The ideal siren for security and fire alarms.



Uses

- Winder Signalling
- Fire and Security Alarms
- Alert and Alarm Functions
- Indoor and Outdoor Use

Dimensions



Specifications

Voltage	12VDC, 24VAC/DC, 32VAC/DC, 110VAC
Sound Output	95dB
Tones	Continues Bell Ring Tone
Temperature	-10°C to +65 °C
Dimensions	130mm (Diameter) x 55mm (Depth)
Mounting	Base Mount with mounting holes
Colour	Red

REV1